

# 1.2M 跌落测试报告

## 1.2M Drop Test Report

<b>Client</b> 委托方	Dongguan Shuozhibao Electronics Co., Ltd 东莞市硕之宝电子有限公司
<b>Add. of Client</b> 委托方地址	No. 25 Zhangshen Avenue South, Zhangyang Community, Zhangmutou Town, Dongguan City 东莞市樟木头镇樟洋社区樟深大道南 25 号
<b>Samples Description</b> 样品名称	Rechargeable Li-ion Battery 锂离子电池组
<b>Model/Type</b> 型号规格	L14M2P21
<b>Testing Laboratory</b> 测试机构	Shenzhen NCT Testing Technology Co., Ltd. 深圳诺测检测技术有限公司 A101, 1/F., &2F., B2, Fuqiao 6th Area, Xintian, Fuhai Street, Bao'an District, Shenzhen, Guangdong, China 广东省深圳市宝安区福海街道新田社区富桥六区 B2 一楼 A101, 二楼
<b>Report No.</b> 报告编号	NCT23021685X1-2
<b>Issued Date</b> 发行日期	2023.06.05
<b>Test Conclusion 测试结论:</b> Shown in the Conclusion of test report. 见检测报告结论页.	

Tested by 主检人:

Miller Gao

Miller Gao

Inspected by 审核人:

Hely Wang

Hely Wang



Approved by 批准

Boris Lin

Boris Lin

Seal of NCT Testing Technology Co., Ltd. (盖章)

Date of Issue 签发日期: 2023.06.05

## I、SAMPLE DESCRIPTION 样品描述

<b>Product Name</b> 产品名称	Rechargeable Li-ion Battery 锂离子电池组	<b>Sample Model</b> 样品型号	L14M2P21		
<b>Manufacturer</b> 制造商	Dongguan Shuozhibao Electronics Co., Ltd 东莞市硕之宝电子有限公司				
<b>Address</b> 地址	No. 25 Zhangshen Avenue South, Zhangyang Community, Zhangmutou Town, Dongguan City 东莞市樟木头镇樟洋社区樟深大道南 25 号				
<b>Trade Mark</b> 商标	---	<b>Battery Shape</b> 电池形状	Prismatic 棱柱形	<b>Packaging dimensions</b> 包装尺寸 (L×W×T)	(420×258×235)mm
<b>Nominal Voltage</b> 标称电压	7.6V	<b>Rated Capacity</b> 额定容量	3930mAh 30Wh	<b>Battery Number</b> 电池数量	20/PCS
		<b>Typical Capacity</b> 典型容量	4050mAh 31Wh		
<b>Gross weight per package</b> 每包装件毛重	4.42kg	<b>Net weight of batteries per package</b> 每包装件电池的净重		2.65kg/packing	
<b>Receiving Date</b> 接收日期	2023.06.02	<b>Completing Date</b> 完成日期	2023.06.05		

## II、STANDARD 标准

22 Revised Edition of the 《Recommendations on the Transport of Dangerous Goods, Model Regulations》 (ST/SG/AC.10/1/Rev.22).

《关于危险货物运输的建议书 规章范本》第 22 版。

## III、TEST ITEM 测试项目

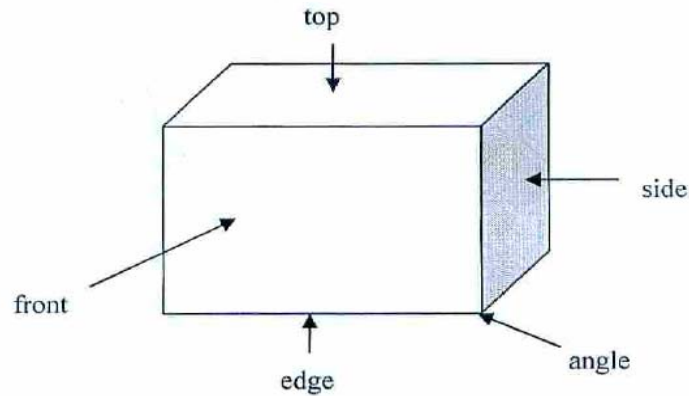
- 1). Drop test 跌落测试
- 2). Packing weight test 包装重量测试

## IV、TEST METHOD 测试方法

The package of batteries is dropped from 1.2m, 5times per package. The test floor is

concrete floor, each package is capable of withstanding a 1.2 meter drop test in any orientation without damage to cell or batteries contained therein. Without shifting of the contents so as to allow battery to battery (or cell to cell) contact and without release of contents.

电池包装件(或含有电池的包装件)从 1.2 米高度进行跌落,每个包装件 5 次.测试底板为混泥土底板,每一个包装件应能承受在任一方位的 1.2 米跌落测试,并且没有电芯或电池损坏.没有位移导致电池或电芯相互接触,并没有内部物品从箱体漏出。



## V、TEST RESULT 测试结果

### 1) Drop test 跌落测试

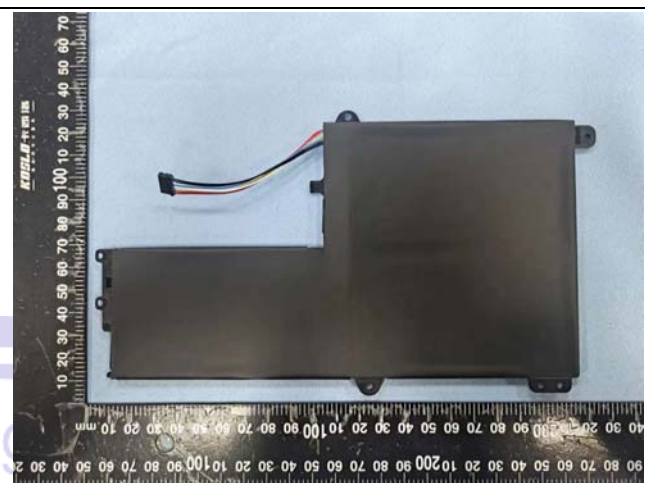
Drop position 跌落位置	Test status 测试情况	Conclusion 结论
Front 前面	Without damage packaging 包装没有损坏	Pass 合格
Edge 边缘	Without damage packaging 包装没有损坏	Pass 合格
Angle 角	Without damage packaging 包装没有损坏	Pass 合格
Side 侧面	Without damage packaging 包装没有损坏	Pass 合格
Top 顶部	Without damage packaging 包装没有损坏	Pass 合格

### 2) Packing weight test 包装重量测试

No. 编号	Test item 测试项目	Weight 重量 (kg)	Remark 备注
1	Packing weight test 包装重量测试	4.42	---

### Photos 照片

#### Samples 样品:



#### Package 包装: (空运)



#### Package 包装: (海运)



**注意事项****Important Notice**

1. The test report is invalid without the official stamp of NCT.  
本报告书无 NCT 盖章无效。
2. Nobody is allowed to photocopy or partly photocopy this test report without written permission of NCT.  
未经 NCT 书面同意，不得部分地复制本报告书。
3. The test report is invalid without the signatures of Ratifier, Reviewer and Testing engineer.  
本报告书无批准人、审核人、及主检人签名无效。
4. The report is invalid when anything of following happens – illegal transfer, reproduce, embezzlement, imposture, modification or tampering in any media form.  
私自转让、复制、盗用、冒用、涂改、或以任何媒体形式篡改的报告书无效。
5. Objections to the test report must be submitted to NCT within 15 days.  
对报告书若有异议，应于收到报告之日起 15 天内向本公司提出。
6. The test report is valid for the tested samples only.  
本报告仅对测试样品有效。
7. The Chinese contents in this report are only for reference.  
本报告中的中文内容仅供参考。

\*\*\*\*\*End of Report 报告结束\*\*\*\*\*